

**Floor Plan (Boys' Toilet)**  
27.95 Sqm

**Prabhat Kiran Secondary School**

**GEDSI-friendly Toilet Block**

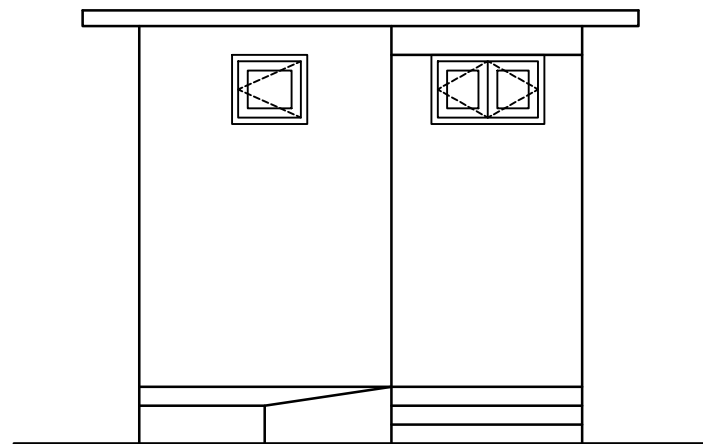
**Floor Plan**

**Project:**

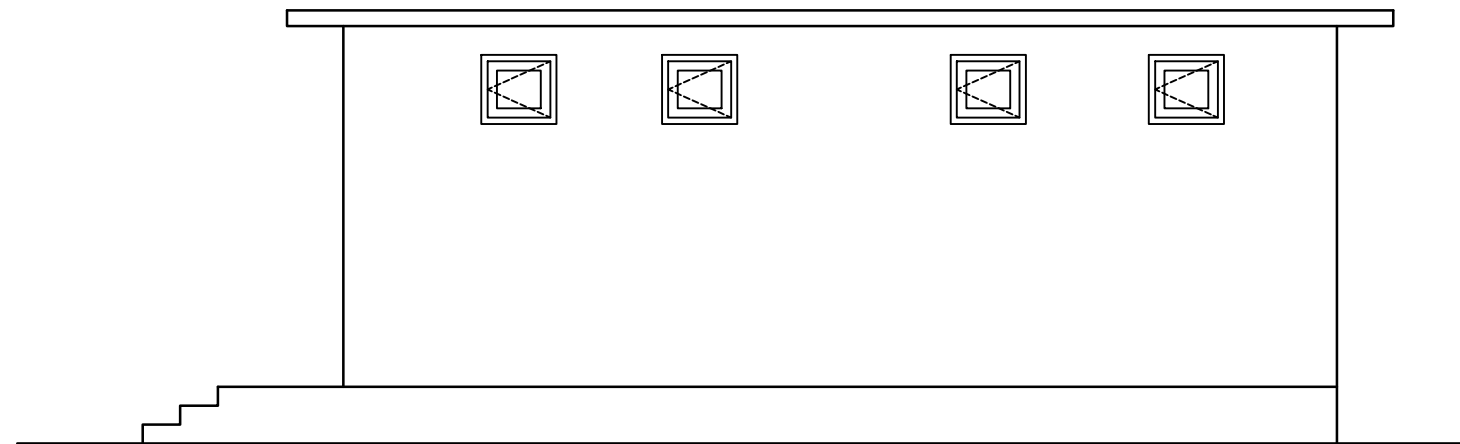
**Proposed Toilet Block for Boys**

Drawing No.

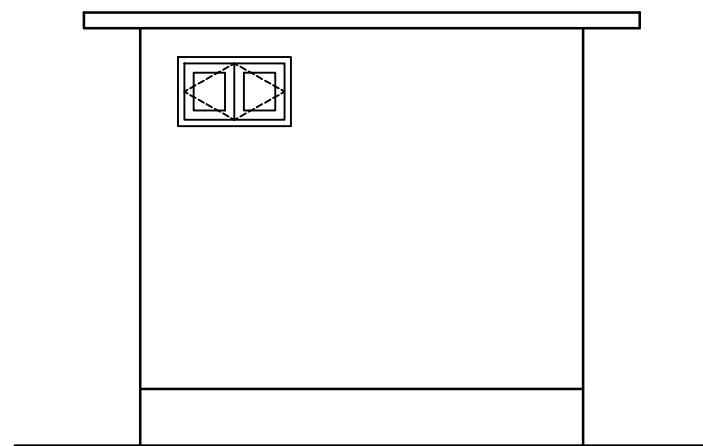
**B/1**



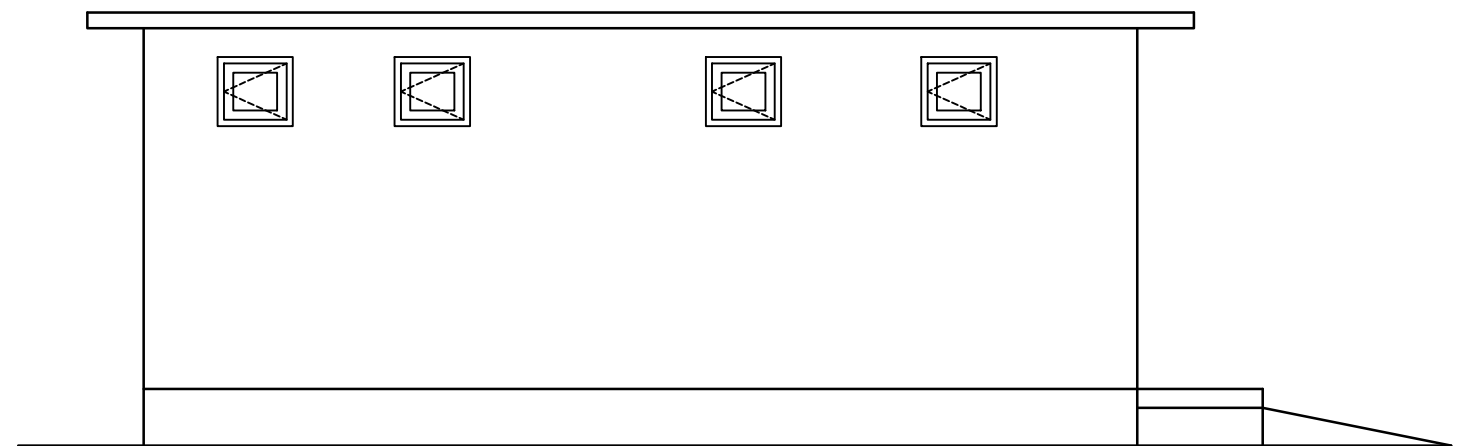
Front Elevation



Side Elevation



Back Elevation



Side Elevation

**Prabhat Kiran Secondary School**

**GEDSI-friendly Toilet Block**

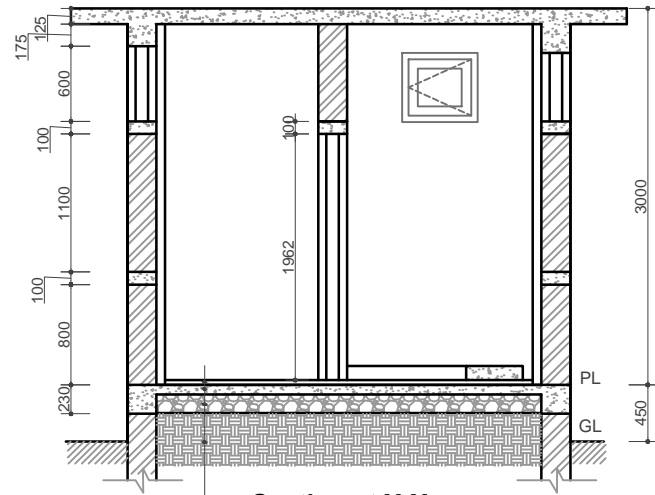
**Elevation Views**

**Project:**

**Proposed Toilet Block for Boys**

Drawing No.

**B/2**

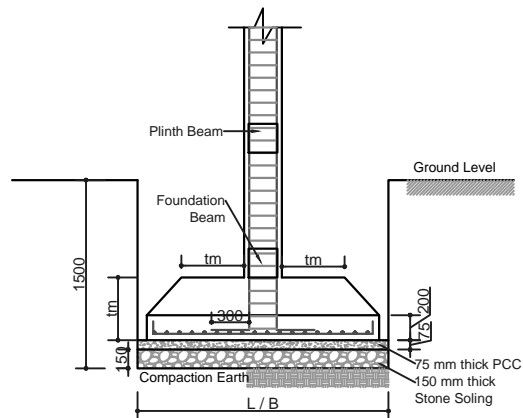


**Section at X-X**

- IPS flooring (38mm thick) with punning finish
- 1:2:4 (cement:sand:aggregates) PCC
- 150mm thick bolder soling
- Rammed earth

**Pad Foundation Size for Soft Soil (SBC 100 KN/m<sup>2</sup>)  
As per NBC 205: 2012**

Column Type	Foundation Plan L x B (m)	Maximum Thickness tm (mm)	Reinf. Each Way As
Corner	1.5 x 1.5 (F2)	300	12Ø @ 150mm c/c
Face	1.65 x 1.65 (F1)	300	12Ø @ 150mm c/c



**Typical Footing Section**

**Beam / Column Section**

Foundation Beam	Plinth Beam	First Floor Beam	Typical Column Section
<p>3-12Ø TH 230 3-12Ø TH</p>	<p>3-12Ø TH 230 3-12Ø TH</p>	<p>3-16Ø TH 355 3-12Ø TH</p>	<p>300 300 4-16Ø + 4-12Ø</p>
Stirrups in Beam: 8mm Ø @ 150mm c/c	Stirrups in Beam: 8mm Ø @ 150mm c/c	Stirrups in Beam: 8mm Ø @ 100mm c/c	Ties for Column: 8mm Ø @ 100mm c/c

**Prabhat Kiran Secondary School**

**GEDSI-friendly Toilet Block**

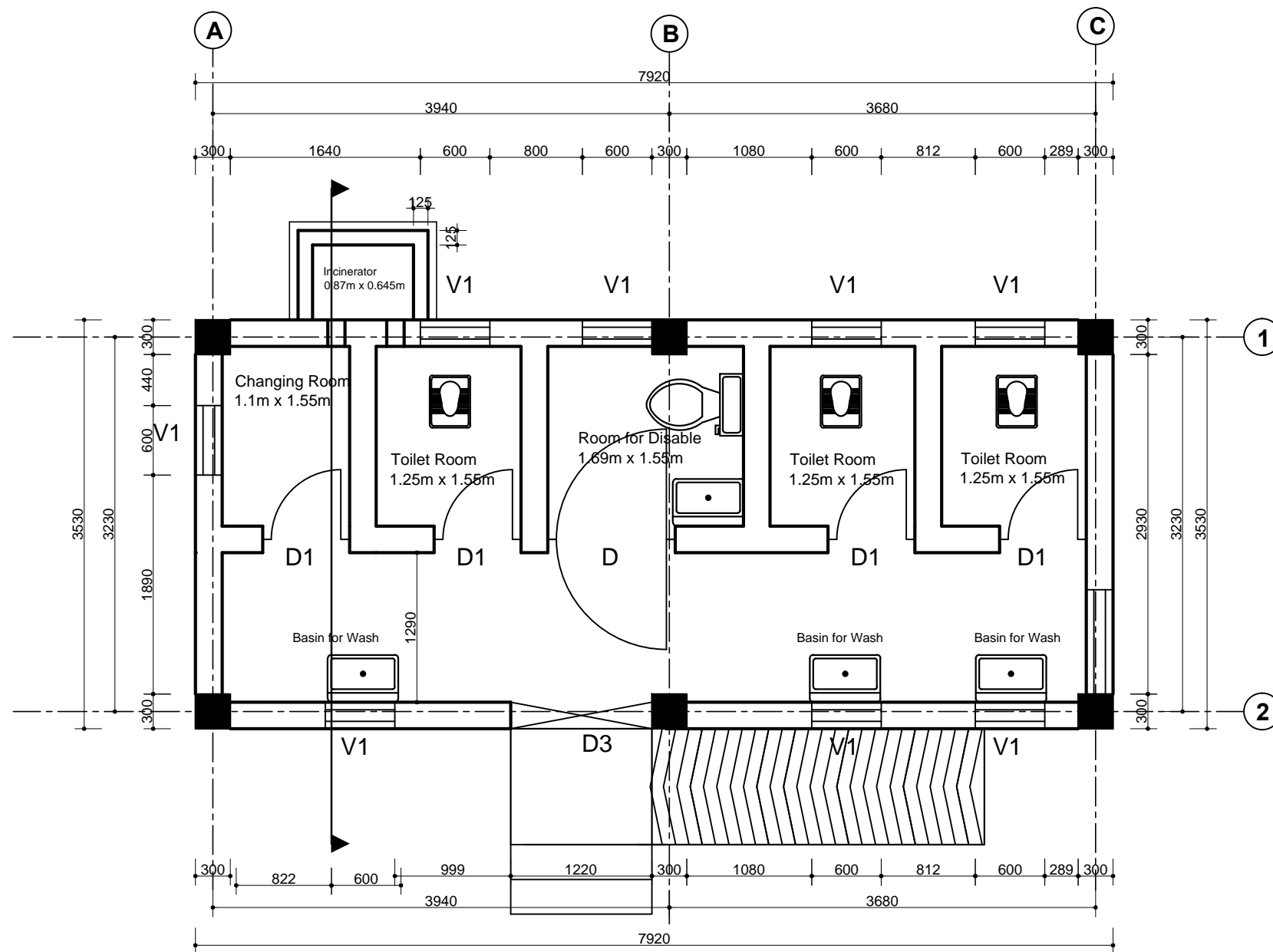
**Section View and Detailings**

**Project:**

**Proposed Toilet Block**

Drawing No.

**B/3**



**Floor Plan (Girls' Toilet)**  
27.95 Sqm

**Prabhat Kiran Secondary School**

**GEDSI-friendly Toilet Block**

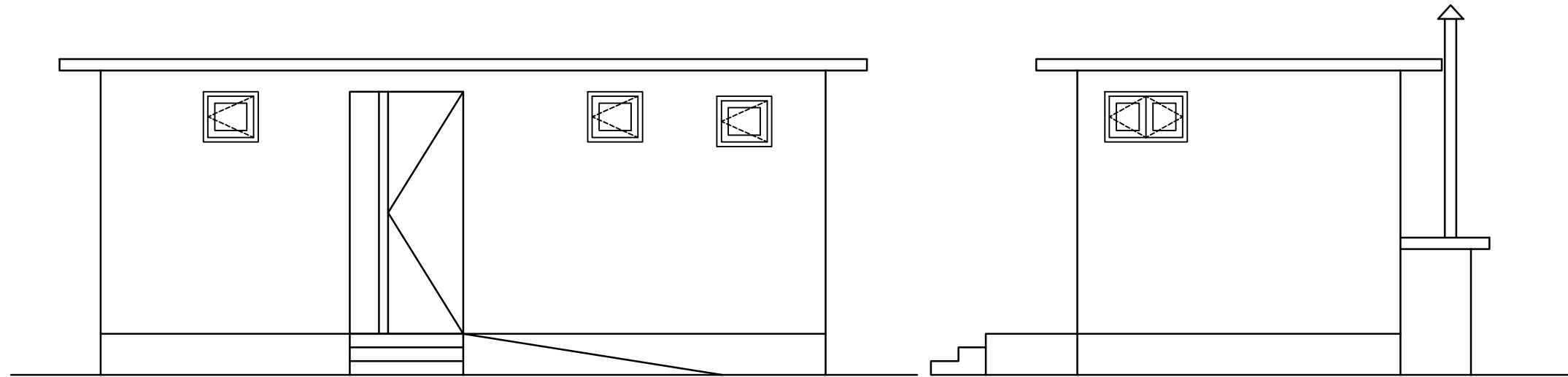
**Floor Plan**

**Project:**

**Proposed Toilet Block for Girls**

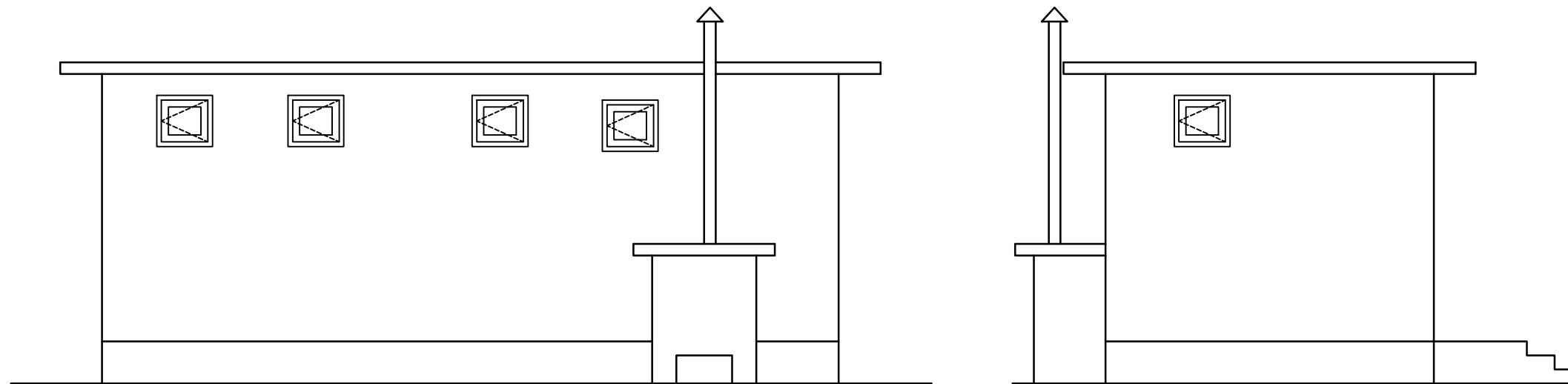
Drawing No.

**G/1**



Front Elevation

Side Elevation



Back Elevation

Side Elevation

**Prabhat Kiran Secondary School**

**GEDSI-friendly Toilet Block**

**Project:**

**Proposed Toilet Block for Girls**

Drawing No.

**G/2**

**Elevation Views**